

INSTRUCTIONS FOR INSTALLING A DELIVERY DOOR AND PIVOT ASSEMBLY REPLACEMENT KIT IN ANY NATIONAL VENDORS® 140-SHOWCASE MERCHANDISER

These instructions cover the procedures for installing a Delivery Door and Pivot Assembly Replacement Kit in any 140-Showcase Merchandiser.

Read these instructions carefully and thoroughly before installing the Kit. Retain these instructions for part number and installation information.

The Delivery Door and Pivot Assembly Replacement Kit, Part Number 140-2124, contains the following parts:

Part Number	Description	Quantity
140-2075	Delivery Door and Pivot Assembly	1
222-2031	Trim T-Bolt	2
9900-072	No.8-32 Self Locking Nut	2
140-2050	Lift Guide Follower	2
140-2126	Installation Instructions * * *	1

The Delivery Door and Pivot Assembly, Aluminum, Replacement Kit, Part Number 140-2125, contains the following parts:

Part Number	Description	Quantity
140-2082	Delivery Door and Pivot Assembly, Aluminum	1
222-2031	Trim T-Bolt	2
9900-072	No.8-32 Self Locking Nut	2
140-2050	Lift Guide Follower	2
140-2126	Installation Instructions * * *	1

TO INSTALL THE KIT

A. PARTS REMOVAL

1. Unlock and open the Merchandiser Cabinet Door.
2. Remove the screw and Lift Guide Follower from each side of the Delivery Pan Assembly. See Figure 1. Discard these parts.

3. Remove the two screws and the Pivot Rod End Support from each end of the Delivery Door Pivot Rod. Retain these parts for use in Section B, INSTALLATION OF THE KIT. See Figure 1.
4. Remove the two screws and the Anti Pilferage Retainer from the Door. Retain these parts for use in Section B, INSTALLATION OF THE KIT. See Figure 1.
5. Remove the Delivery Door and Pivot Assembly from the Door. See Figure 1.

B. INSTALLATION OF THE KIT

1. Push the Trim T-Bolts, Part Number 222-2031, included in the Kit, through the holes in the ends of the Delivery Door Pivot Assembly with the heads of the Trim T Bolts toward the inside as in Figure 2.
2. Slide the ends of the Delivery Door Pivot Assembly between the end of the Pilferage Door and the ends of the Delivery Pan so that the Trim T Bolts protrude through the slots in the ends of the Pilferage Door. See Figure 2.
3. Slide the Lift Guide Followers, Part Number 140-2050, included in the Kit, over the Trim T Bolts. See Figure 2.
4. Attach the Lift Guide Followers with the No.8-32 Self Locking Nuts, Part Number 9900-072, included in the Kit. See Figure 2.
5. Attach the Delivery Door and Pivot Assembly to the Cabinet Door with the Pivot Rod End Supports and Screws removed in Step 3. Section A, PARTS REMOVAL. See Figure 2.
6. Install the Anti Pilferage Retainer and two screws, removed in Step 4, Section A, PARTS REMOVAL, on the Cabinet Door. See Figure 2.
7. Close and Lock the Merchandiser Cabinet Door.

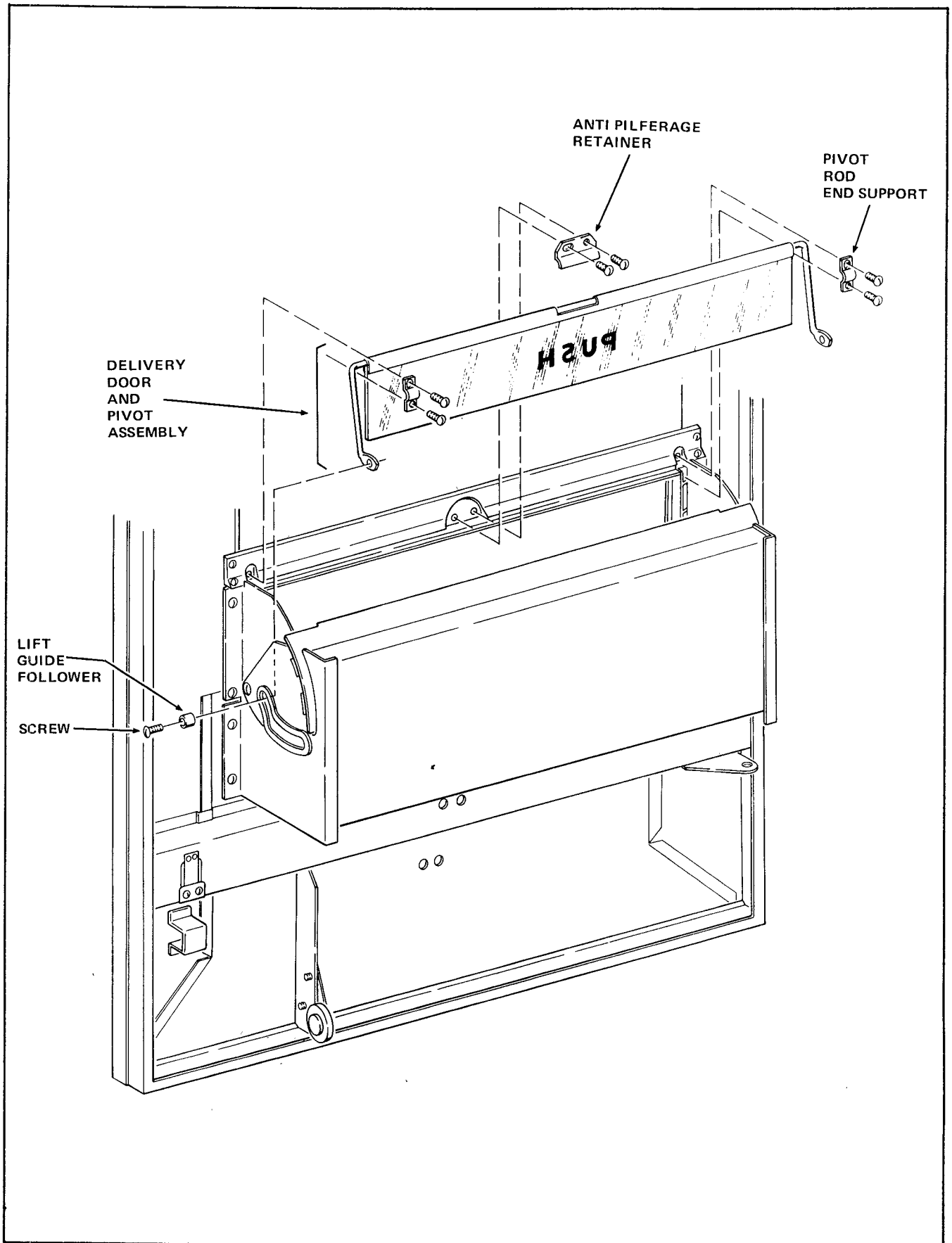


FIGURE 1

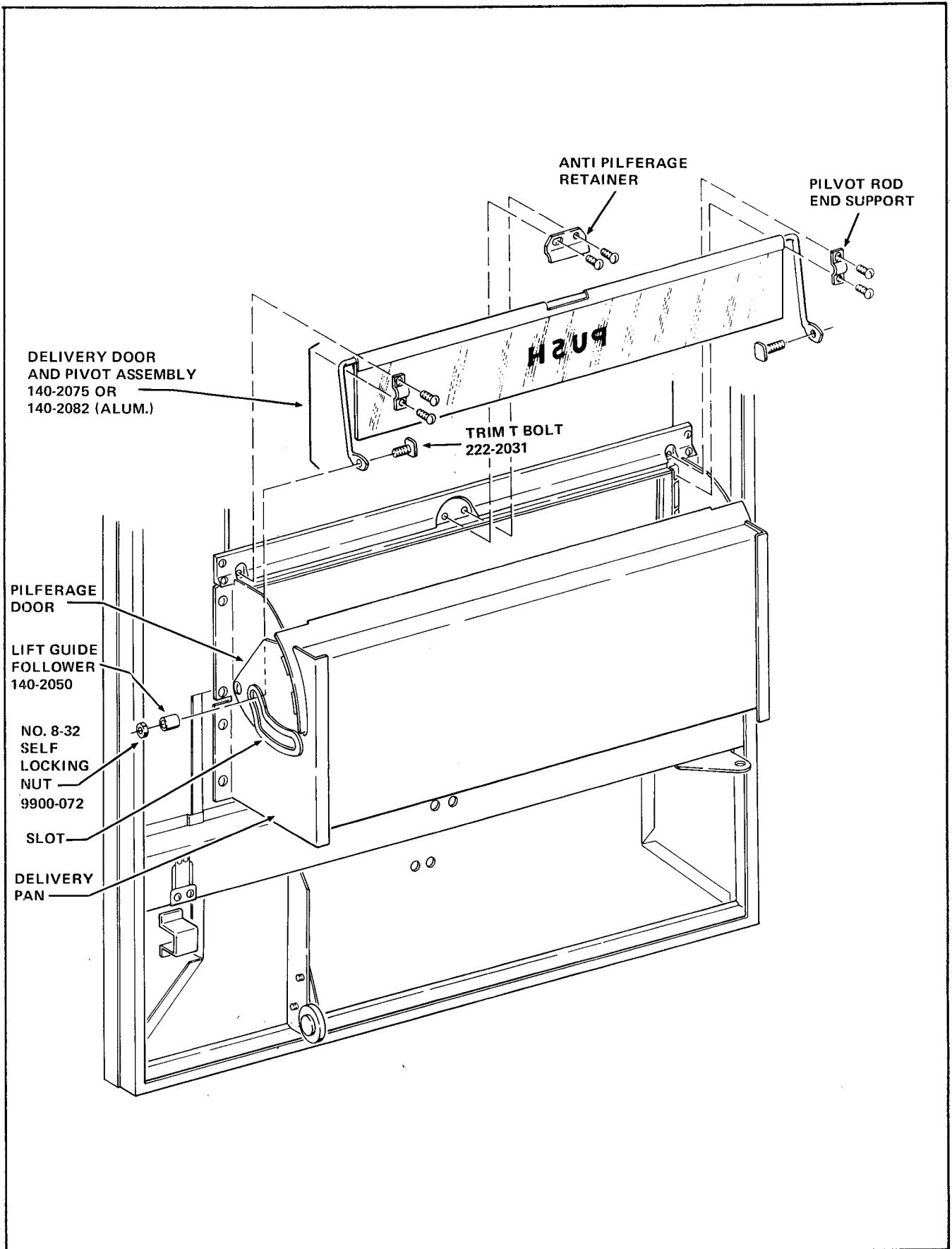


FIGURE 2